

Device Components:

- ZyMöt™ ICSI Sperm Separation Device
- Instructions for Use

Materials/Equipment Required, But Not Supplied:

- Sperm washing solution: bicarbonate or HEPES-buffered
- 37°C incubator
- 2µL-20µL capacity adjustable micropipette
- 1µL-10µL capacity adjustable micropipette
- Water
- Recommended pipette tips:
 - 20µL: Rainin 30389189 | RT-UNV-A-20µL
 - 0-10µL: Rainin 30389163 | RT-UNV-A-10µL
- 35mm diameter Petri dish with lid
- 100mm diameter Petri dish with lid
- Capped tubes

Learn more at zymotfertility.com



Instructions for Use

Please read all instructions below prior to beginning use of this device.

1. Incubate semen sample to allow for liquefaction.
2. Carefully open the device package.
3. Use the 2-20µL micropipette fitted with the recommended tip to draw 15µL of sperm wash solution.
4. Carefully insert the tip into the inlet port (the inlet port is the smaller of the ports). Hold the micropipette in a vertical position and apply gentle pressure to achieve a seal. Do not allow the micropipette to “bottom out,” which can hinder free flow of solution. Inject the sperm wash solution into the inlet port to fill the channel and outlet port (Figure 1). Do not trap air bubbles in the device.

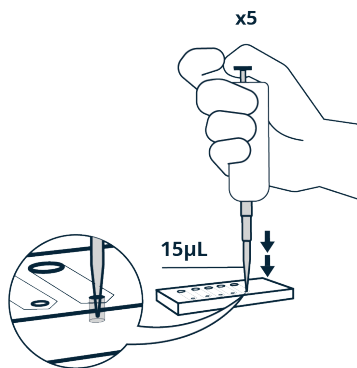


Figure 1. Add 15µL of media to each inlet port.

5. Use the 1-10µL micropipette fitted with the recommended tip to slowly add 2µL of liquefied semen sample to the inlet port (Figure 2). As in the previous step, do not allow the micropipette to “bottom out”. Ensure free flow of the semen sample. Ignore any excess solution buildup at the inlet port.

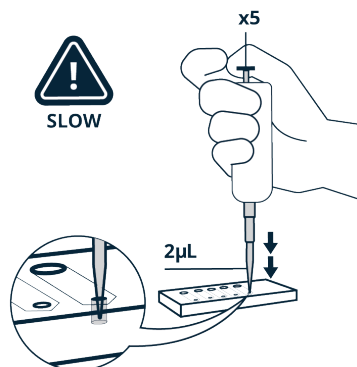


Figure 2. Slowly inject 2µL of sample to each inlet port.

6. Invert a 100mm Petri dish such that the lid becomes the base. Fill a 35mm Petri dish half-full with water. Place both the uncovered 35mm Petri dish and the device in the inverted Petri dish lid. Cover with the former 100mm Petri dish base (Figure 3).

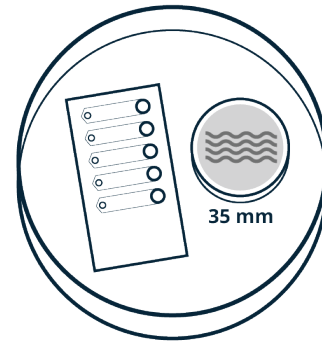


Figure 3. Prepare water. Place device in covered container.

Alternate incubation procedure:

Use a 1-10µL micropipette fitted with the recommended tip to add a 2µL oil overlay to the inlet and outlet ports.

7. Incubate the covered device at 37°C for 30 minutes.
8. Use a micropipette to carefully remove 2µL of the sorted sperm-containing solution from each of the outlet ports (Figure 4).

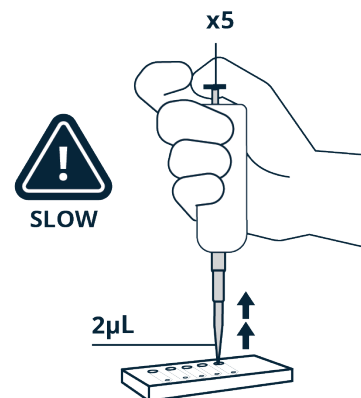


Figure 4. Slowly aspirate 2µL from each outlet port.

9. Transfer the collected material to a capped tube. Store for later use according to lab practice (Figure 5).

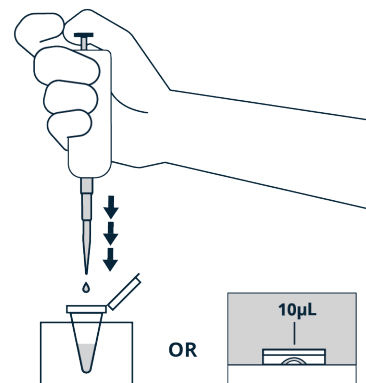


Figure 5. Transfer the collected material for later use.

Tips, Warnings and Precautions:

- Device should be used only by properly trained operators; by or on the order of a physician.
- Avoid over- or under-filling the device.
- Keep the device level during use – do not tip or rock.
- Do not use if the packaging is damaged.
- Device is single-use only and should be restricted to a single individual per device. It may not be reused.
- Practice universal precautions when handling human body fluids.

Device Description:

ZyMöt ICSI and ZyMöt Multi are sperm separation devices used to prepare motile sperm for assisted reproductive technology (ART) procedures. Both devices separate sperm based on motility. The ZyMöt ICSI and the ZyMöt Multi are sterile and single use only. The mechanism of action for both is separation of sperm based on motility within a microenvironment created by the micro channels of the ZyMöt ICSI or the micropores in the filter of the ZyMöt Multi. The primary difference between the devices is the processing volume. The ZyMöt ICSI has a processing volume of 2µL per micro channel. The ZyMöt Multi is manufactured in two (2) processing volumes, 850µL and 3mL.

The ZyMöt Multi (provided with 850µL and 3mL collection chambers) has an inlet port that communicates with the lower sample chamber. The sample chamber is separated from the upper collection chamber by a microporous filter. Untreated semen is added through the inlet port. After 30 minutes, the separated sperm are collected from the upper chamber through the outlet port.

Indications for Use:

The ZyMöt ICSI Sperm Separation Device is intended for preparing motile sperm from semen for use in the treatment of infertile couples by intracytoplasmic sperm injection (ICSI) procedures.

Sterilization:

The sterilization method used for the ZyMöt devices is gamma radiation, at a dose level of 5kGy to 40kGy by the VDmax²⁵ method to meet a Sterility Assurance Level of 10⁶.

Storage:

Store at 15°C - 25°C.

Disposal:

Discard the used device and pipette tips as medical waste.

Manufactured for:

ZyMöt Fertility, a business unit of DxNow, Inc.
401 Professional Drive, Suite 130
Gaithersburg, MD 20879-3429 USA | www.dxnwinc.com
info@dxnowinc.com
+240-454-9893

Manufactured by:

KOEK Biotechnology Bioengineering and
Medical Services Industry and Trade Inc.
Zafer Sb. District Nilufer Str., Aegean Freezone
ESBAS B Block Apt. No: 29/4
Gazimir / IZMIR – TURKEY | www.koekbiotech.com



Manufacturer



Fragile Item, Handle Carefully



Date of Manufacture



Keep Dry



Expiration Date



Storage Temperature Limits



Lot Number



Do Not Reuse



Catalog Number



Consult Instructions For Use



Sterilized Using Irradiation



Caution



Do Not Resterilize



Conforms to Directive 93/42/EEC



Do Not Use if Package is Damaged

Licenses, Patents and Trademarks:

KOEK Biotechnology is an exclusive sublicensee of DxNow, Inc., and a manufacturer of DxNow's sperm separation devices. These devices are manufactured and sold under the terms of DxNow Inc.'s exclusive worldwide patent license from The Brigham & Women's Hospital, Inc., Boston, Massachusetts, USA.

EU Patent EP2710139B1. Additional USA and international patents pending. ZyMöt, ZyMöt ICSI and ZyMöt Multi are trademarks of DxNow, Inc.

