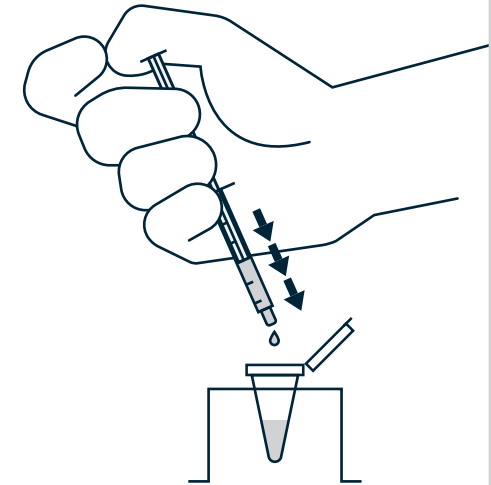
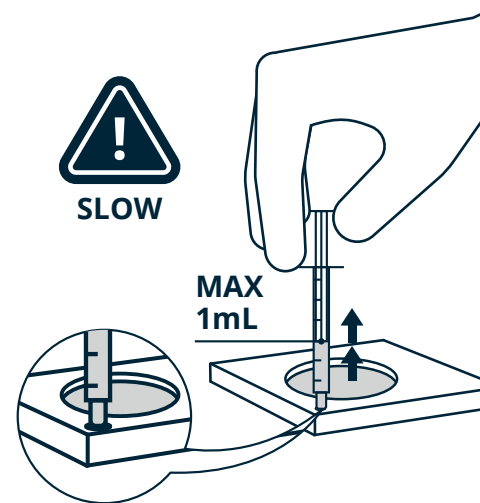
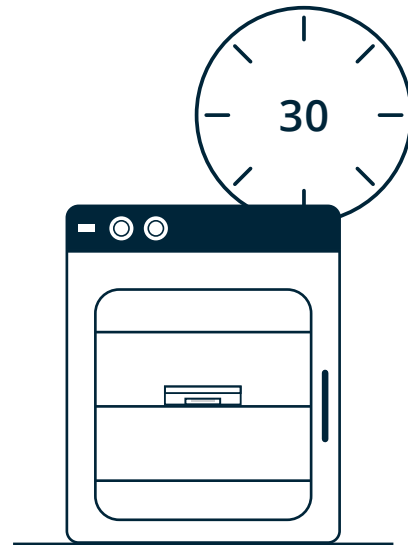
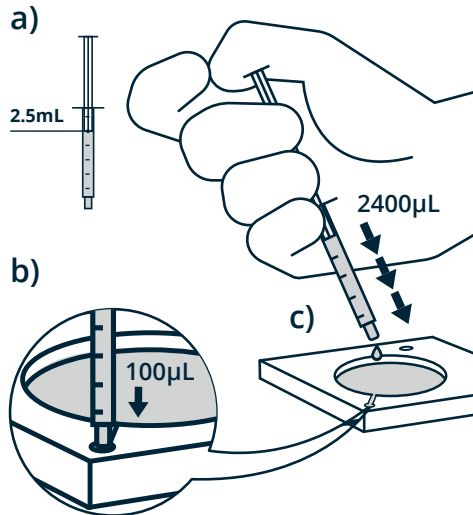


INSTRUCTIONS FOR USE

**1.** Allow sample to liquefy.

**2.** Draw 3mL of the sample.

**3.** a) Achieve seal.  
b) Slowly inject sample.



**4.** a) Draw 2.5mL of media.  
b) Prime outlet channel.  
c) Cover membrane.

**5.** Incubate at 37°C for 30 minutes.

**6.** Slowly aspirate a maximum of 1mL.

**7.** Transfer the collected material for later use.